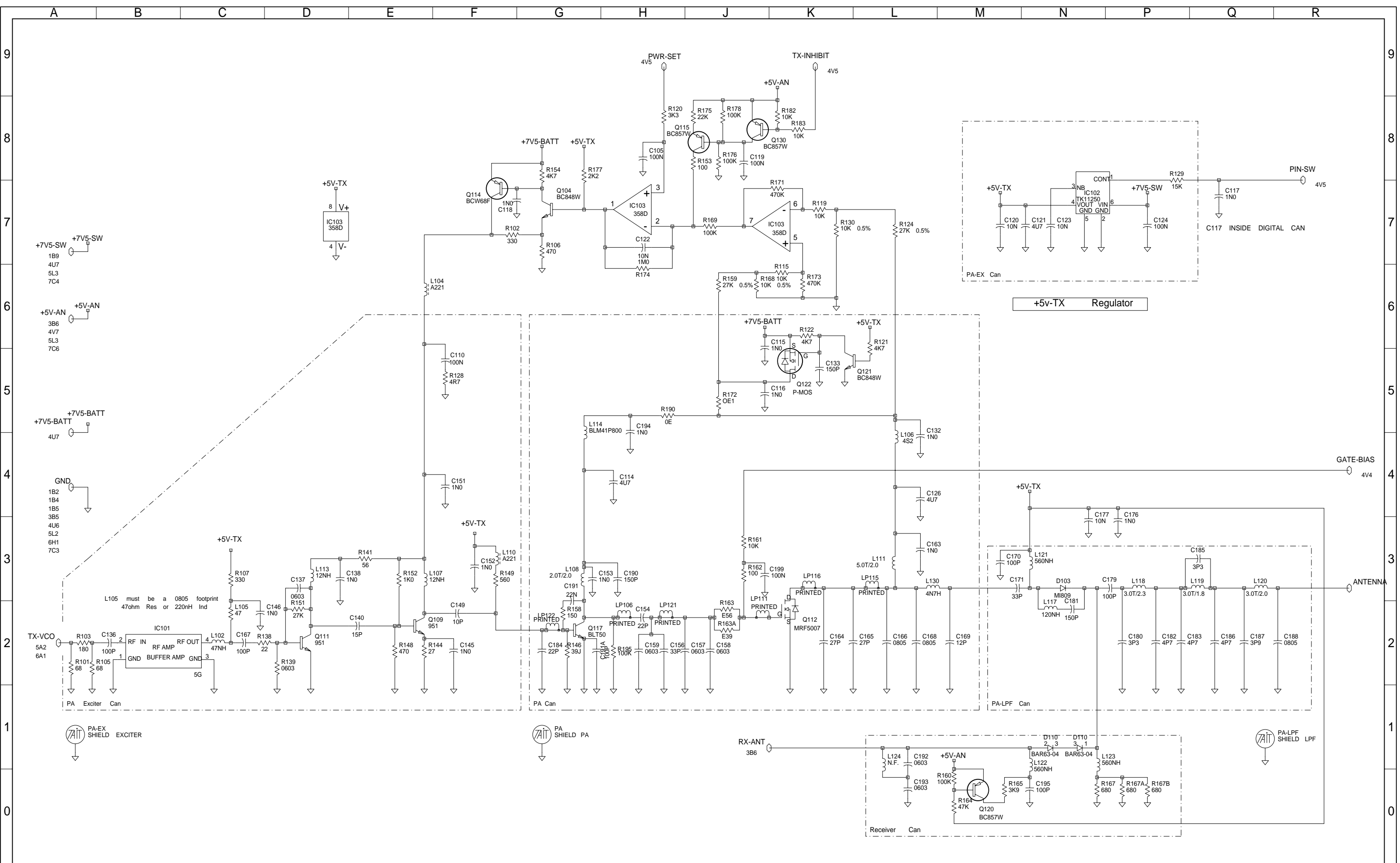


10A	MUTE MOD/ALC/BIRDY MODS	BRD				11-03-99
09A	UPDATES TO COIL PADS	BRD				04/02-99
05	MOREUPDATES	DBH				
04	UPDATED AND MOVED AERIAL SOCKET	MAJ				
03 B	UPDATED VALUES ADDED CANS TO PLA	MAJ				
REV/ISS	AMENDMENTS	DRAWN	CHKD	D.O.	APVD	DATE

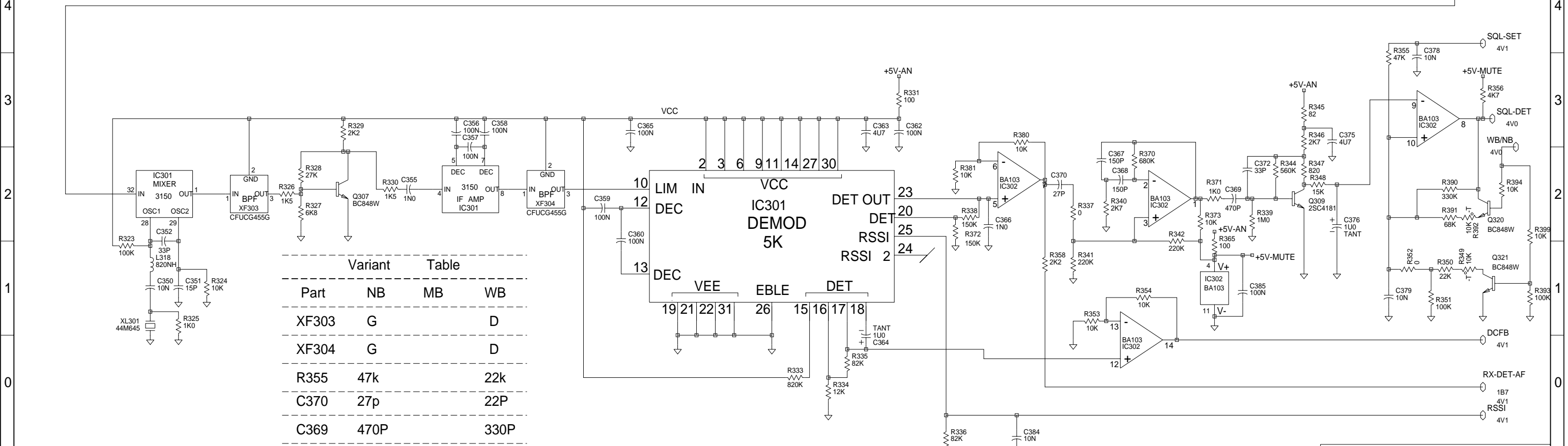
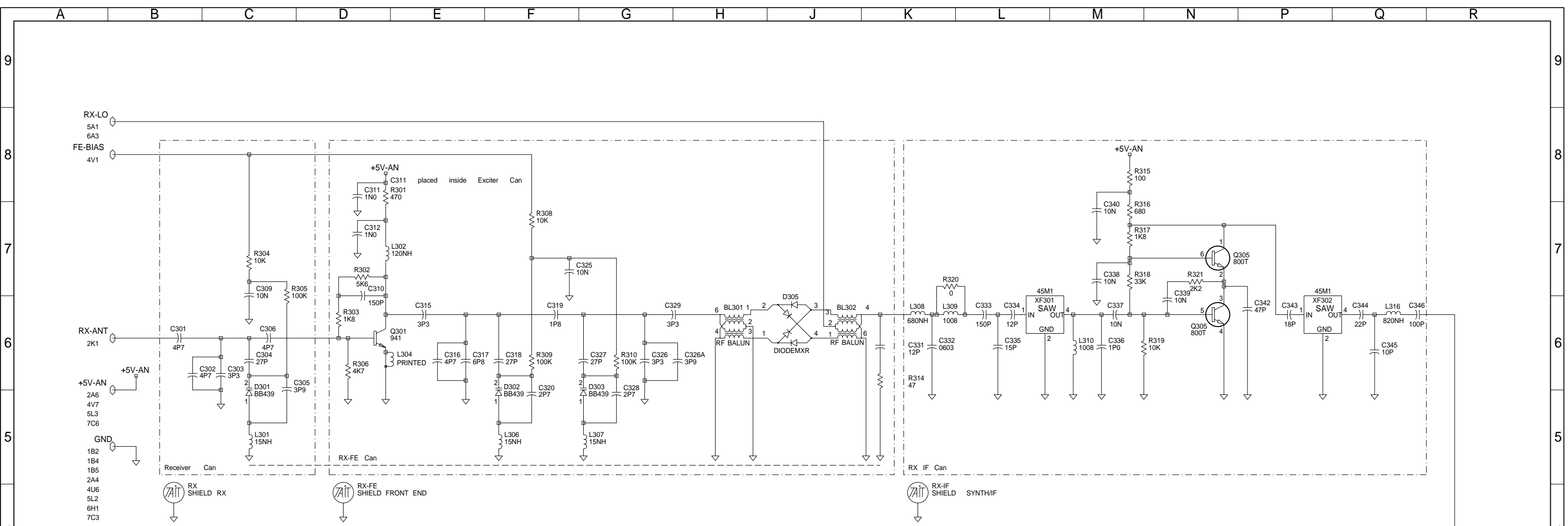
© **TAIT ELECTRONICS**
 ORCA :TP010-5122 400-440MHZ
 SYSTEM DIAGRAM

IPN: 220-01392-10 ISSUE: A ID: 2.S.C. 1
 PROJECT: ORCA DESIGNER: BRD FILE NAME: 139210A FILE DATE: 07/05/99 NO.SHEETS: 7



© TAIT ELECTRONICS
 ORCA :TP010-5122 400-440MHZ
 POWER AMPLIFIER
 IPN: 220-01392-10 ISSUE: A ID: 2.S.C. 2
 PROJECT: ORCA BRD DESIGNER: 139210A FILE NAME: 07/05/99 FILE DATE: NO.SHEETS: 7

REV/ISS	AMENDMENTS	DRAWN	CHKD	D.O.	APVD	DATE
A						

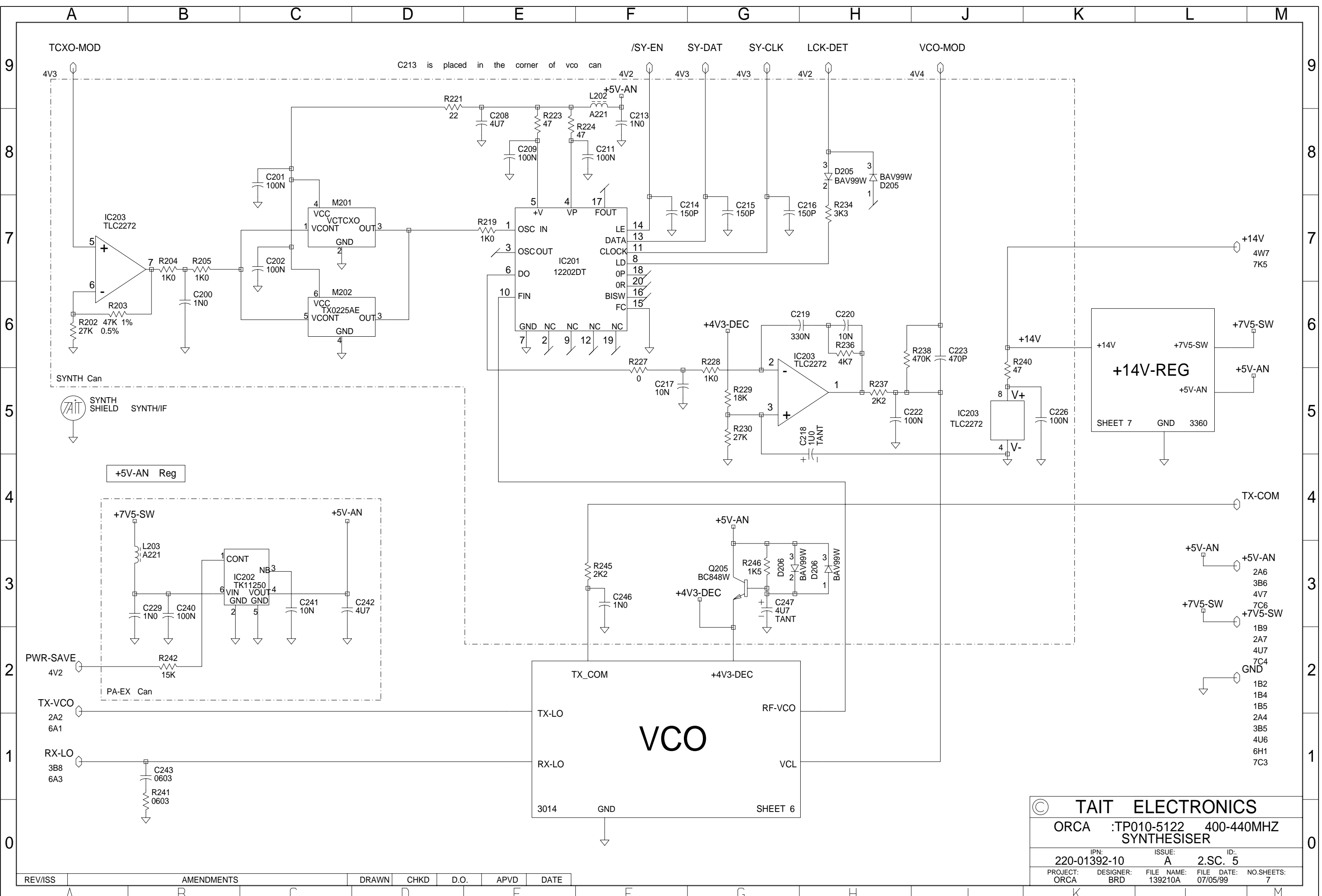


Variant Table

Part	NB	MB	WB
XF303	G		D
XF304	G		D
R355	47k		22k
C370	27p		22P
C369	470P		330P
R390	330k		68k

© TAIT ELECTRONICS
 ORCA :TP010-5122 400-440MHZ RECEIVER
 IPN: 220-01392-10 ISSUE: A ID: 2.S.C. 3
 PROJECT: ORCA BRD DESIGNER: FILE NAME: 139210A DATE: 07/05/99 NO.SHEETS: 7

REV/ISS	AMENDMENTS	DRAWN	CHKD	D.O.	APVD	DATE
A						



C213 is placed in the corner of vco can

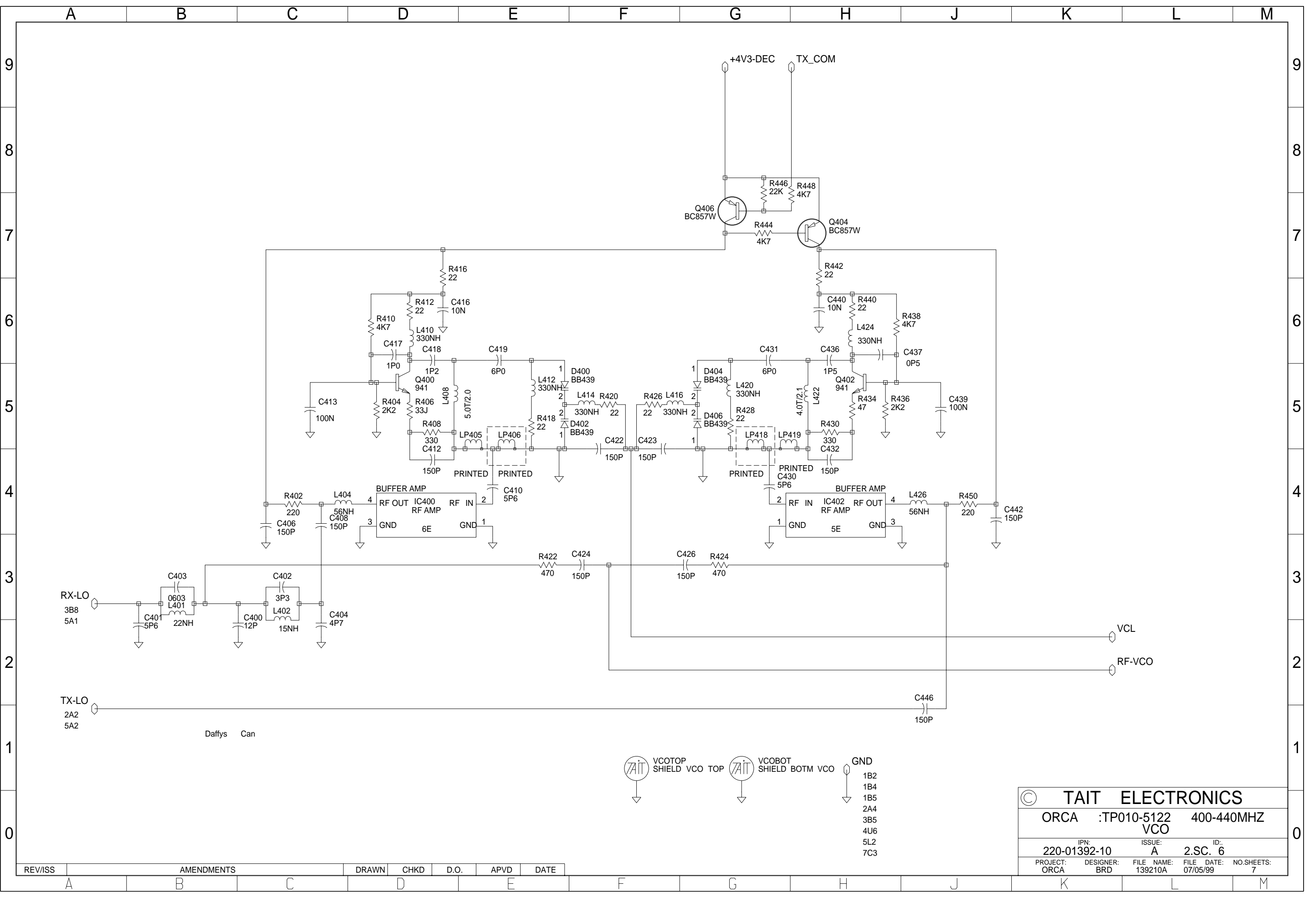
+14V-REG
SHEET 7
GND 3360

VCO
3014 GND SHEET 6

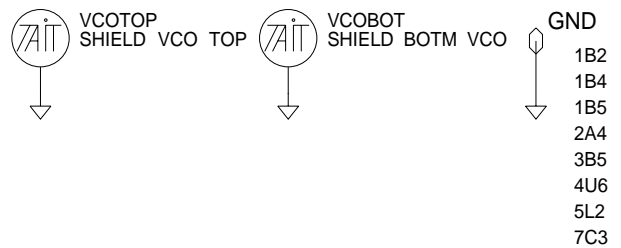
© TAIT ELECTRONICS				
ORCA :TP010-5122 400-440MHZ SYNTHESISER				
IPN:	ISSUE:	ID.:		
220-01392-10	A	2.SC. 5		
PROJECT:	DESIGNER:	FILE NAME:	FILE DATE:	NO.SHEETS:
ORCA	BRD	139210A	07/05/99	7

REV/ISS	AMENDMENTS	DRAWN	CHKD	D.O.	APVD	DATE
---------	------------	-------	------	------	------	------

- +5V-AN 2A6
- +5V-AN 3B6
- +5V-AN 4V7
- +7V5-SW 7C6
- +7V5-SW 1B9
- +7V5-SW 2A7
- +7V5-SW 4U7
- +7V5-SW 7C4
- GND 1B2
- GND 1B4
- GND 1B5
- GND 2A4
- GND 3B5
- GND 4U6
- GND 6H1
- GND 7C3

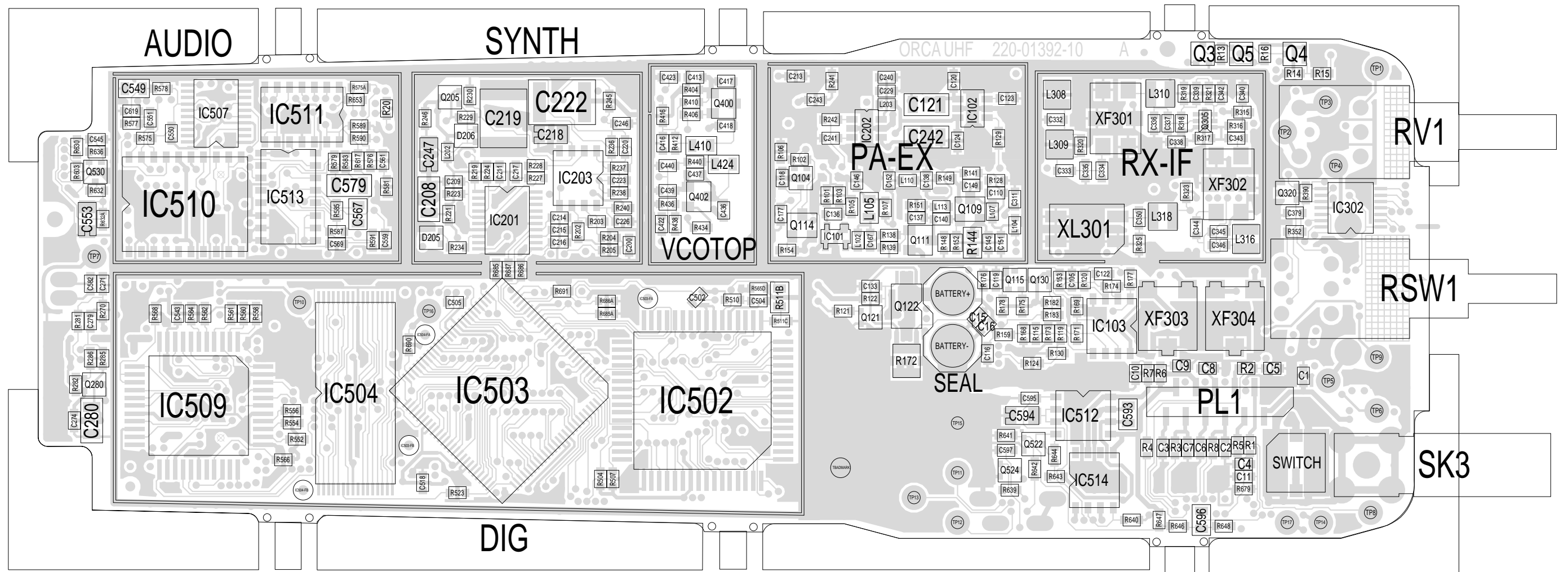


Daffys Can



© TAIT ELECTRONICS				
ORCA	:TP010-5122	400-440MHZ	VCO	
IPN:	ISSUE:	A	ID:	6
220-01392-10			2.SC.	6
PROJECT:	DESIGNER:	FILE NAME:	FILE DATE:	NO.SHEETS:
ORCA	BRD	139210A	07/05/99	7

REV/ISS	AMENDMENTS	DRAWN	CHKD	D.O.	APVD	DATE



TAIT ELECTRONICS IPN: 220-01392-10 ISS: -10A ID: 1.TA DATE: 10 May 1999
 ORCA UHF PCB LAYOUT - TOP SIDE

